

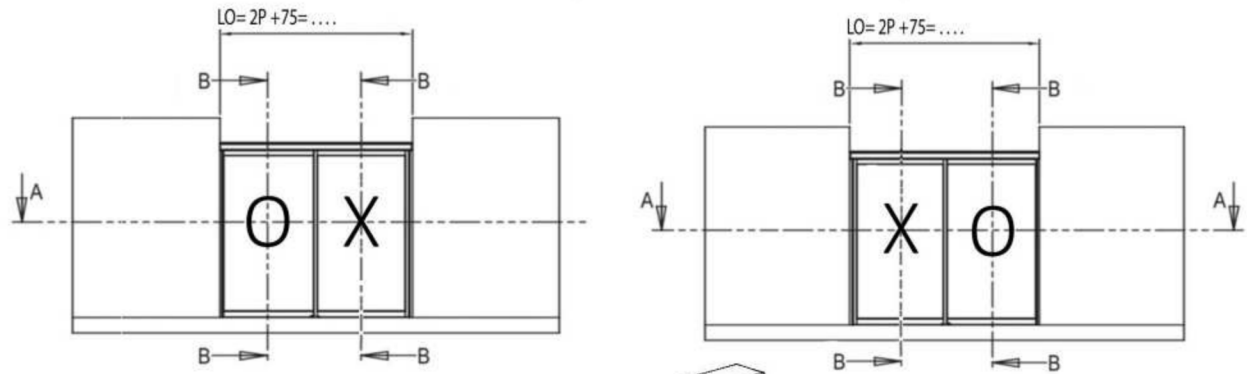
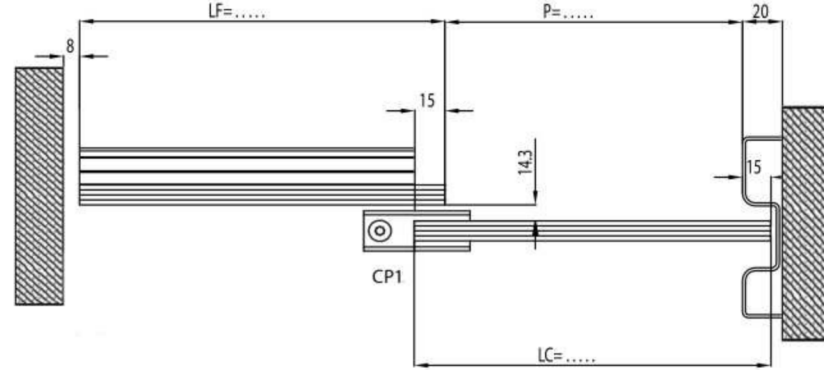
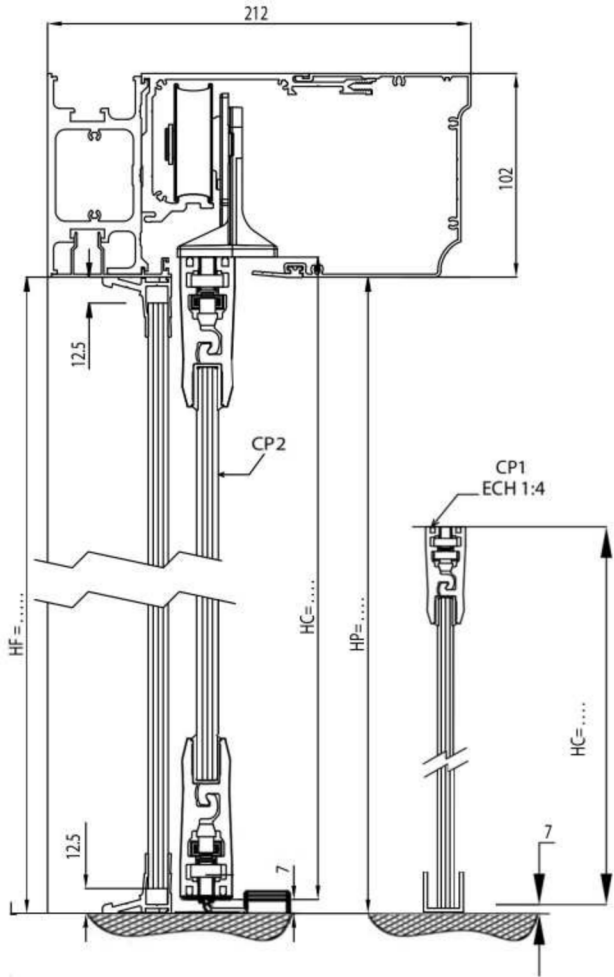
» PUERTA AUTOMÁTICA CORREDIZA TINA LUMINA PRESS TIPO O-X, X-O PE07495.



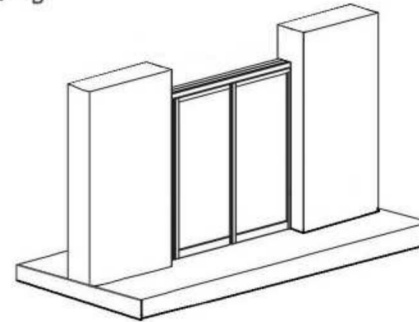
TINA COULISSANTE SIMPLE R15MM AVEC LUMINA PRESS + FIXE - MONTAGE ENTRE MURS
 SINGLE SLIDING TINA 15MM OVERLAP WITH LUMINA PRESS + SIDE SCREEN - BETWEEN WALLS MOUNTING

Puertas & Portones Automáticos, S.A. de C.V.
 ¡Nuestra pasión es la Solución!...

GAMME TINA COULISSANTE LUMINA / SLIDING TINA LUMINA



| | |
|---------------------------|-----|
| HC = HP + 3 = | CP1 |
| LC = 1/2 P + 12.5 = | |
| hv. = HC - 55 = | |
| lv. = LC = | CP2 |
| hv. = HC - 110 = | |
| lv. = LC = | |
| HF = HP = | FS2 |
| LF = 1/2 P + ... = | |
| hv. = HF - 25 = | Gsf |
| lv. = LF = | |



X CORREDIZA
 O FIJO
 P PARED
 S ANTIPANICO



TINA

G S LUMINA PRESS R15 + F PE 07495-



(229) 365-5662

portonesautomaticos@adsver.com.mx
 portonesautomaticos@prodigy.net.mx

(229) 927-5107, 167-8080, 167-8007, 151-7529

www.adsver.com.mx